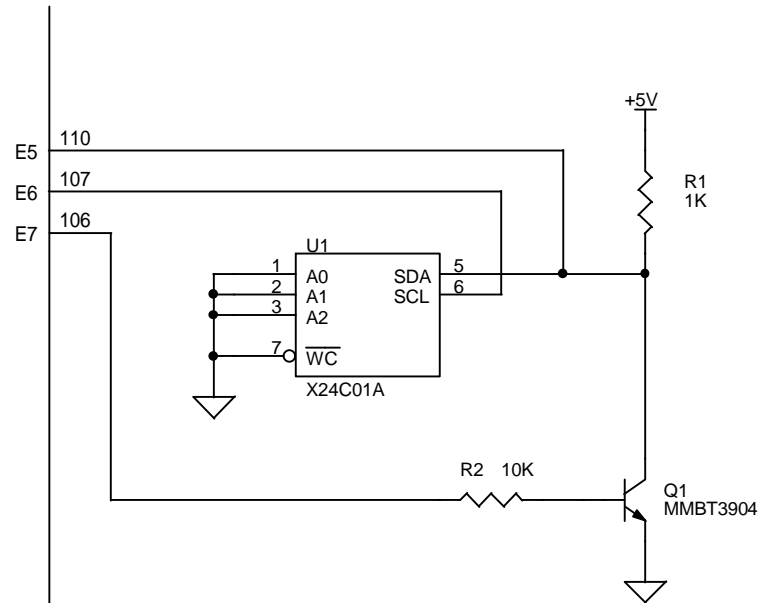


MOTOROLA  
MC68HC16  
MICROPROCESSOR



Switching a MC68HC16 I/O pin from an output to an input creates a 1 microsecond pulse on the I/O pin. This prevents a simple two wire interface from the HC16 to a serial EEPROM. Three I/O pins and a transistor are required for this interface.

**ELSVN** INC.  
1123 LAKE SHORE ROAD  
GRAFTON, WI 53024-9724  
(414) 375-1755

Title  
MC68HC16 INTERFACE TO SERIAL EEPROM

Size A Document Number  
DESIGN TIP 102

Rev  
A

Date: Tuesday, October 14, 1997 Sheet 1 of 1